

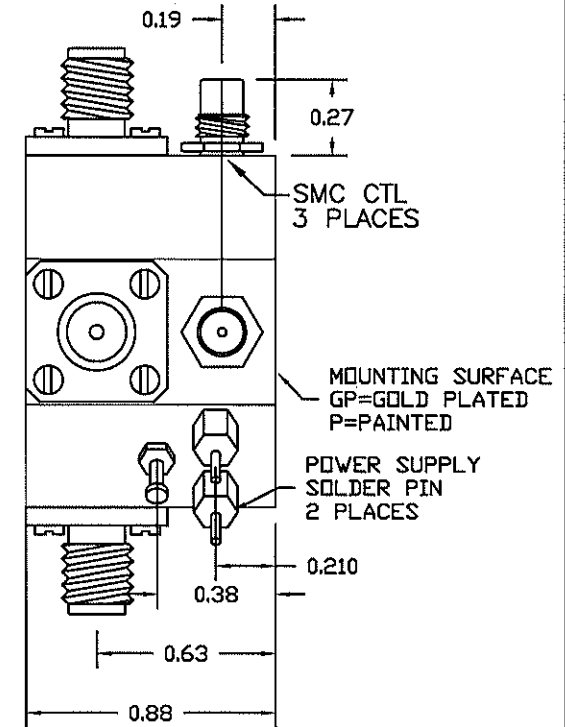
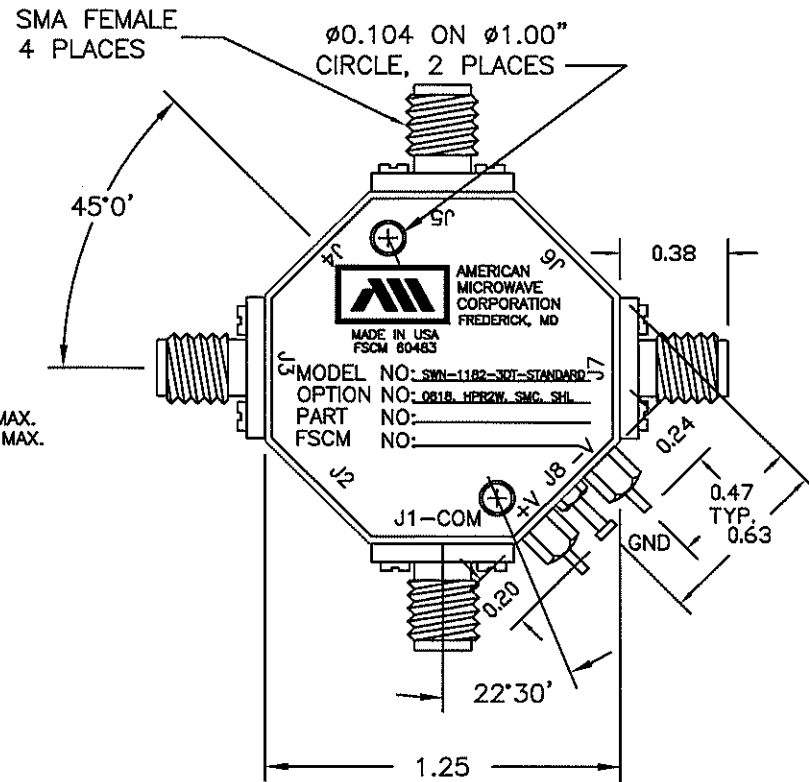
DESCRIPTION:

AMC MODEL SWN-1182-3DT-STANDARD OPTION 0818, HPR2W, SMC & SHL IS A SINGLE POLE THREE THROW SWITCH WITH SMA CONNECTORS AND SMC CONTROL CONNECTORS. IT IS A HIGH POWER 2 WATT DESIGN WITH A SHUNT LOAD. IT HAS A FREQUENCY RANGE OF 0.8 TO 18GHz, MAXIMUM INSERTION LOSS OF 3.75dB, AND ISOLATION OF 70dB MINIMUM @ 18GHz.

ZONE		REV.	DESCRIPTION	DATE	APPROVED
			ORIGINAL RELEASE	10/8/07	<i>[Signature]</i>

SPECIFICATIONS:

- FREQUENCY: 0.8 GHz TO 18 GHz
- INSERTION LOSS: 3.75dB MAX.
- ISOLATION: 0.8 GHz TO 2 GHz: 60dB MIN.
2 GHz TO 18 GHz: 70dB MIN.
- VSWR: ABSORPTIVE IN/OUT: 2.0:1
ABSORPTIVE OUT/OFF: 2.0:1
- SPEED: RISE: 10ns TYPICAL, 15ns MAX.
FALL: 10ns TYPICAL, 15ns MAX.
DELAY ON: 75ns TYPICAL, 100ns MAX.
DELAY OFF: 75ns TYPICAL, 100ns MAX.
- POWER INPUT: 2 WATTS
- CONTROL: TTL LOGIC "0"=ON "1"=OFF
- POWER SUPPLY: +5V @ 150 mA MAX.
-5V @ 100mA MAX



NOTE:

- DR=WITH DRIVER, REFLECTIVE
- DT=WITH DRIVER, NON-REFLECTIVE/ABSORPTIVE

ENVIRONMENTAL RATINGS:

- TEMPERATURE: -55°C TO +85°C (OPERATING)
-65°C TO +125°C (STORAGE)
- HUMIDITY: MIL-STD-202F, METHOD 103B COND. B
- SHOCK: MIL-STD-202F, METHOD 213B COND. B
- VIBRATION: MIL-STD-202F, METHOD 204D COND. B
- ALTITUDE: MIL-STD-202F, METHOD 105C COND. B
- TEMPERATURE CYCLE: MIL-STD-202F, METHOD 107D COND. A

ALL DIMENSIONS ARE IN INCHES
TOLERANCES:

- X.XX ±0.020
- X.XXX ±0.010

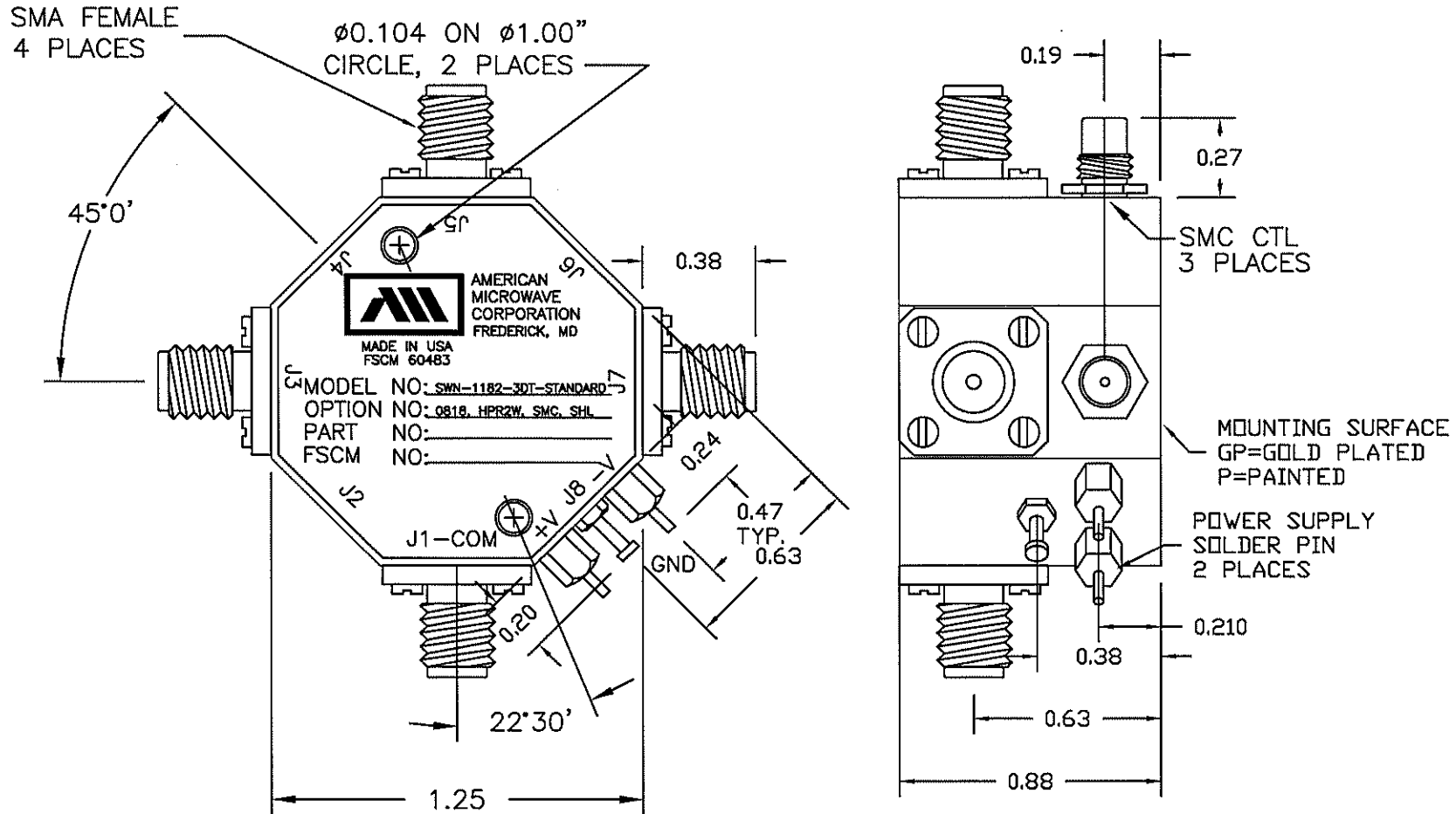
NOTE: THE ABOVE SPECIFICATIONS ARE SUBJECT TO CHANGE OR REVISION

CONTRACT NO.		AMERICAN MICROWAVE CORPORATION FREDERICK, MARYLAND			
APPROVALS	DATE	TITLE			
DRAWN <i>KMS</i>	10/8/07	PRODUCT FEATURE SWN-1182-3DT-STANDARD OPTION 0818, HPR2W, SMC & SHL NON-REFLECTIVE/ABSORPTIVE RADIAL SOLID STATE SWITCH			
CHECKED <i>[Signature]</i>	10/10/07	SIZE	FSCM NO.	DWG NO.	REV.
ISSUED <i>[Signature]</i>		A	60483	100-4181-3	-
		SCALE	N/S	SHEET	1 OF 3

DESCRIPTION:

AMC MODEL SWN-1182-3DT-STANDARD OPTION 0818, HPR2W, SMC & SHL IS A SINGLE POLE THREE THROW SWITCH WITH SMA CONNECTORS AND SMC CONTROL CONNECTORS. IT IS A HIGH POWER 2 WATT DESIGN WITH A SHUNT LOAD. IT HAS A FREQUENCY RANGE OF 0.8 TO 18GHz, MAXIMUM INSERTION LOSS OF 3.75dB, AND ISOLATION OF 70dB MINIMUM @ 18GHz.

MECHANICAL OUTLINE



ALL DIMENSIONS ARE IN INCHES

TOLERANCES:

X.XX ±0.020

X.XXX ±0.010

AMERICAN MICROWAVE CORPORATION
 FREDERICK, MARYLAND

TITLE: PRODUCT FEATURE
 SWN-1182-3DT-STANDARD
 OPTION 0818, HPR2W, SMC & SHL
 NON-REFLECTIVE/ABSORPTIVE
 RADIAL SOLID STATE SWITCH

SIZE	FSCM NO.	DWG NO.	REV.
A	60483	100-4181-3	---